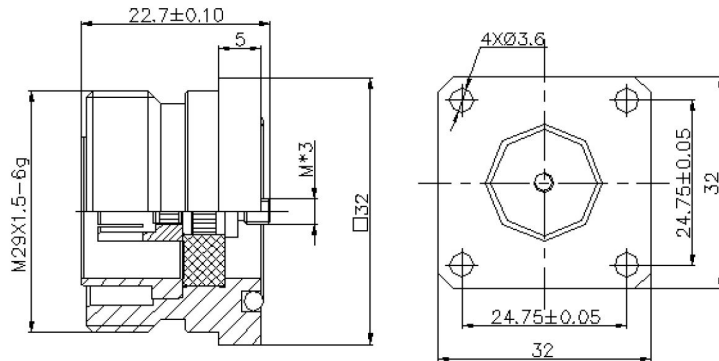


716DINFFM

7/16" DIN female square flange mount connector

Low Passive intermodulation



Interface	According to IEC 60169-4
Frequency range	DC - 7.5 GHz
VSWR	≤1.10@DC-3 GHz
Impedance	50 Ohms
Dielectric withstanding voltage	≥4000V RMS, 50Hz, at sea level
Working Voltage	≥2700V RMS, 50Hz, at sea level
Dielectric resistance	≥10000 MΩ
Maximum power	3 Kilowatts / 3000 Watts
Contact resistance	Centre Contact - ≤0.4mΩ Outer Contact - ≤1.0mΩ
Durability	≥500 mating cycles
Temperature range	-40°C to +85°C
IP Rating	IP67
RoHS Compliant	Yes - 2002/95/EC

Construction

Body	Tri-metal plated brass
Insulator	PTFE (teflon)
Centre contact	Silver plated phosphor copper
Gasket	Silicon rubber